

# PRODUCT INFORMATION PACKET

Model No: 213TCDW7027  
Catalog No: Z409  
5,1800,DP,213JM,1/60/230  
JM



Regal and Marathon are trademarks of Regal Beloit Corporation or one of its affiliated companies.  
©2018 Regal Beloit Corporation, All Rights Reserved. MC017097E





### Nameplate Specifications

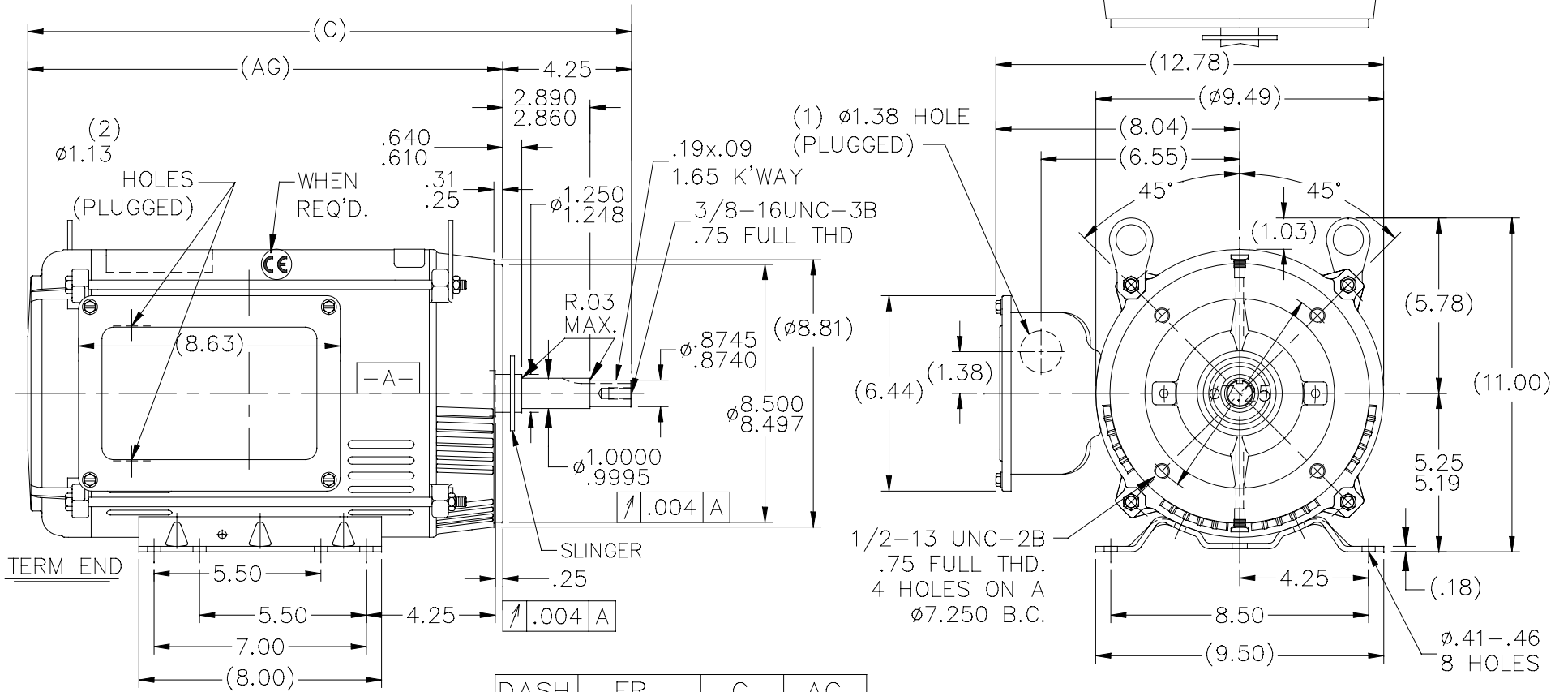
Output HP	<b>5 Hp</b>	Output KW	<b>3.7 kW</b>
Frequency	<b>60 Hz</b>	Voltage	<b>230 V</b>
Current	<b>28.0 A</b>	Speed	<b>1730 rpm</b>
Service Factor	<b>1.15</b>	Phase	<b>1</b>
Efficiency	<b>78.5 %</b>	Duty	<b>Continuous</b>
Insulation Class	<b>F</b>	Design Code	<b>L</b>
KVA Code	<b>H</b>	Frame	<b>213JM</b>
Enclosure	<b>Drip Proof</b>	Overload Protector	<b>No</b>
Ambient Temperature	<b>40 °C</b>	Drive End Bearing Size	<b>6309</b>
Opp Drive End Bearing Size	<b>6206</b>	UL	<b>Recognized</b>
CSA	<b>Y</b>	CE	<b>Y</b>
IP Code	<b>23</b>		

### Technical Specifications

Electrical Type	<b>Capacitor Start Induction Run</b>	Starting Method	<b>Across The Line</b>
Poles	<b>4</b>	Rotation	<b>Selective Counterclockwise</b>
Mounting	<b>Rigid base</b>	Motor Orientation	<b>Horizontal</b>
Drive End Bearing	<b>Ball</b>	Opp Drive End Bearing	<b>Ball</b>
Frame Material	<b>Rolled Steel</b>	Shaft Type	<b>JM</b>
Overall Length	<b>19.92 in</b>	Frame Length	<b>11.15 in</b>
Shaft Diameter	<b>0.875 in</b>	Shaft Extension	<b>4.25 in</b>
Assembly/Box Mounting	<b>F1 Only</b>		
Outline Drawing	<b>037643-1115</b>	Connection Diagram	<b>A-EE7090JR</b>

This is an uncontrolled document once printed or downloaded and is subject to change without notice. Date Created: 06/29/2018

037643



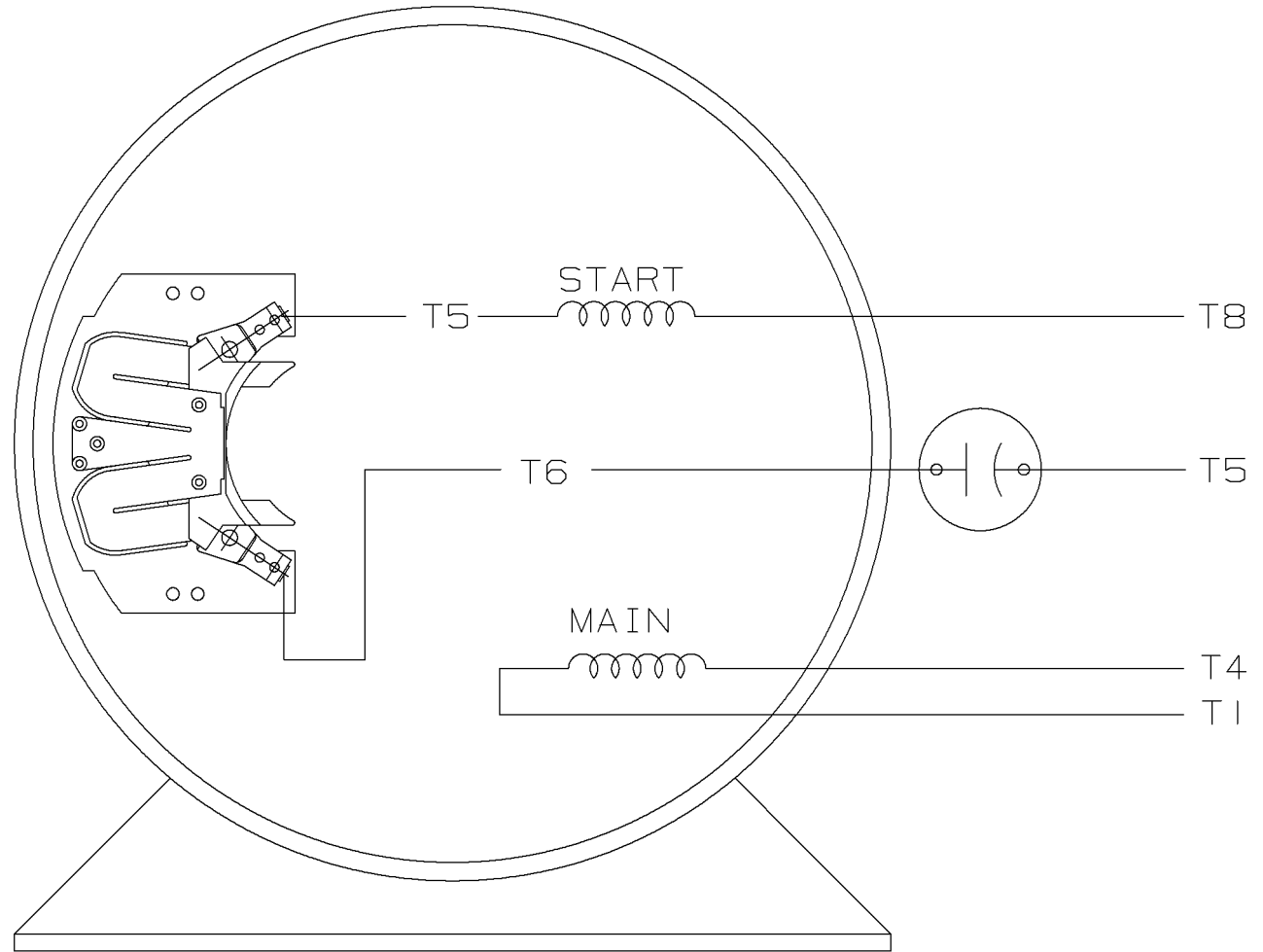
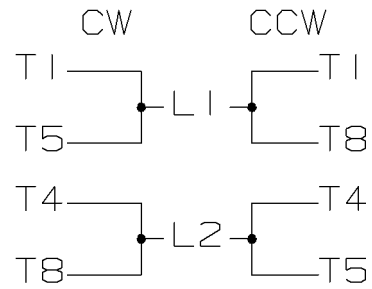
DASH	FR.	C	AG
965	213JM	18.42	14.17
1115	213/15JM	19.92	15.67
1240	213/15JM	21.17	16.92

ORACLE REV 001

NOTES:  
1. NAMEPLATE TO BE READ FROM C'BOX SIDE OF MOTOR.

		TOLERANCES UNLESS SPECIFIED		MARATHON ELECTRIC		DRAWN GRB 11/14/08			
		DEC.	INCHES			CHK	SK 11/14/08		
		.X	$\pm .1$			APPD			
		.XX	$\pm .03$	TITLE OUTLINE - 210JM FR. DP - 'C' FACE		SCALE 1=4.2			
		.XXX	$\pm .005$			REF SS86664			
F	ADDED "AJ" DIM OF 7.250 ECO 0083886	GWS 8/21/15	.XXXX	$\pm .0005$	MAT'L.	FMF			
NO.	REVISION	BY & DATE	CHK	ANG	$\pm 7'30"$	PREV			
THIS DRAWING IN DESIGN AND DETAIL IS OUR PROPERTY AND MUST NOT BE USED EXCEPT IN CONNECTION WITH OUR WORK ALL RIGHTS OF DESIGN AND INVENTION ARE RESERVED THIS IS AN ELECTRONICALLY GENERATED DOCUMENT - DO NOT SCALE THIS PRINT				RFP	CAD FILE 037643	SIZE A	DRAWING NO. 037643	PAGE 1 OF 1	REV. F
				DIST LB					

SINGLE VOLTAGE CAPACITOR START  
MOTOR, ELECTRICALLY REVERSIBLE



VIEW OF TERMINAL END

				✓ MAX. SURFACE ROUGHNESS UNLESS NOTED OTHERWISE	UNLESS OTHERWISE SPECIFIED DIMENSIONS ARE IN INCHES TOL. ON XX±.02 XXX±.005 XXXX±.0005 ANGLES± 7'30"		
				MATL SPEC			DRAWN BY GK 01-10-1987
				FINISH			CHKD BY
1	01-10-1987	NEW DRAWING	CN-7664C	GK	WAUSAU, WISCONSIN 54401		APPD BY
REV	DATE	CHANGE		NAME	PART NAME CONNECTION DIAGRAM		DRWG NO A- EE7090JR

SHOP BOOK

PURCHASED

DISTRIBUTION - WA - LB - WP - LM - BR

CADD FILE NO.

EE7090JR

ERROR: syntaxerror  
OFFENDING COMMAND: --nostringval--

STACK:

214  
/Otilde  
213  
/Ocircumflex  
212  
/Oacute  
211  
/Ograve  
210  
/Ntilde  
209  
/Eth  
208  
/Idieresis  
207  
/Icircumflex  
206  
/Iacute  
205  
/Igrave  
204  
/Edieresis  
203  
/Ecircumflex  
202  
/Eacute  
201  
/Egrave  
200  
/Ccedilla  
199  
/AE  
198  
/Aring  
197  
/Adieresis  
196  
/Atilde  
195  
/Acircumflex  
194  
/Aacute  
193  
/Agrave  
192  
/questiondown  
191  
/threequarters  
190  
/onehalf  
189  
/onequarter  
188  
/guillemotright  
187  
/ordmasculine  
186  
/onesuperior  
185  
/cedilla  
184  
/periodcentered  
183  
/paragraph  
182  
/mu  
181  
/acute

